

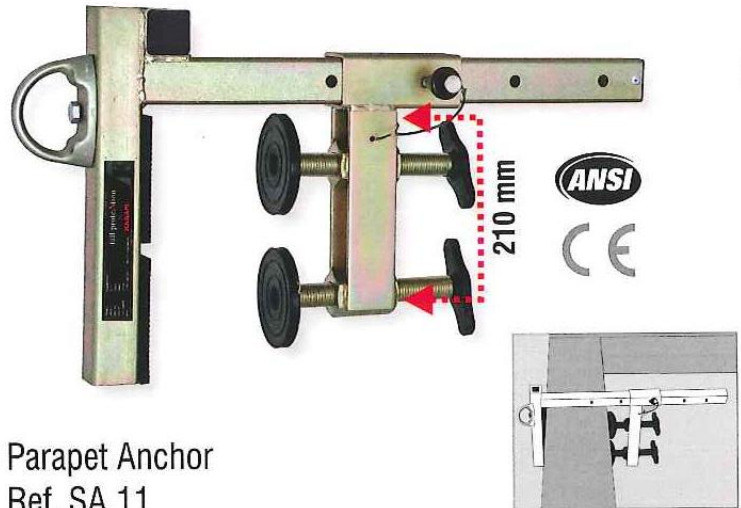
BSCSA11

Uses BSCSA10



The Parapet Anchor provides safe anchorage point on parapets and facades. A regular Screw-bolt anchor cannot be used in such places because it may damage the base structure.

PARAPET ANCHOR



Parapet Anchor
Ref. SA 11

The Parapet Anchor preserves the appearance of the parapet and façade, while providing a safe anchorage point. The soft part of the inner side of the flanges also ensures the parapet is not damaged.

FEATURES

- High Strength Galvanised Steel for corrosion resistance
- Adjustable width – 60mm to 360mm
- Minimum Breaking Strength 23Kn
- Weight 9.5Kg

TESTING

- Conforms to EN795:2012 Type B and ANSI Z359.1:2007

